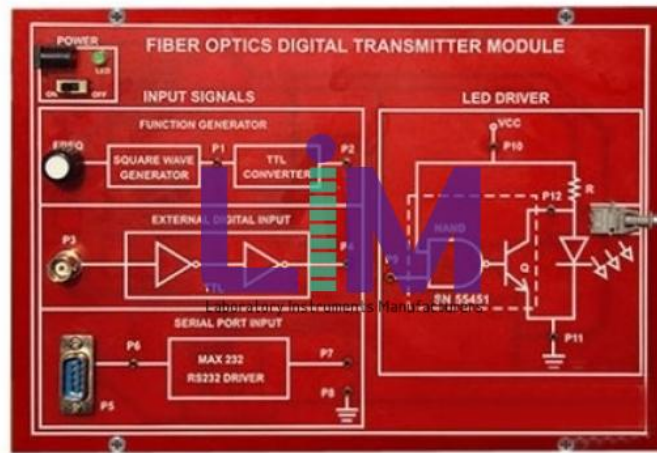


Product Name :
Fiber Optic Transmitter (Red)

Product Code :
LIM-CAT-L0017-00023



Description :

Fiber Optic Transmitter (Red)

Technical Specification :

- Fiber Optic Transmitter (Red)
- On-board TTL generator at variable frequency.
- Input over voltage protection using ICs.
- Transmitter driver supports low and medium frequency input signal.
- Supporting External TTL at variable range (10 Hz to 100 KHz).
- Number of test point to study the Fiber Optic Digital link.
- PC to PC communication over plastic fiber optic cable.
- On chip Driver at the transmitter

Technical Data:

- Input: TTL level digital signal, or, standard level analog signal, switch selectable
- Input Frequency Range: DC to >1MHz
- Fiber Optic Device: RED high radiance LED, 660nm peak spectral output
- Fiber Optic Connector System: single way
- Fiber Optic Cable: 1mm, polymer, single core fiber optic cable, sheathed in polyethylene.

Fiber Optic Transmitter (Red), Fiber Optic Transmitter (Red) Bulk Suppliers, Fiber Optic Transmitter (Red) Tools, Fiber Optic Transmitter (Red) Fiber Optic Transmitter (Red)s, Fiber Optic Transmitter (Red) Manufacturers, Fiber Optic Transmitter (Red) Suppliers from India, China, Kenya.



Laboratory instruments manufacturers India